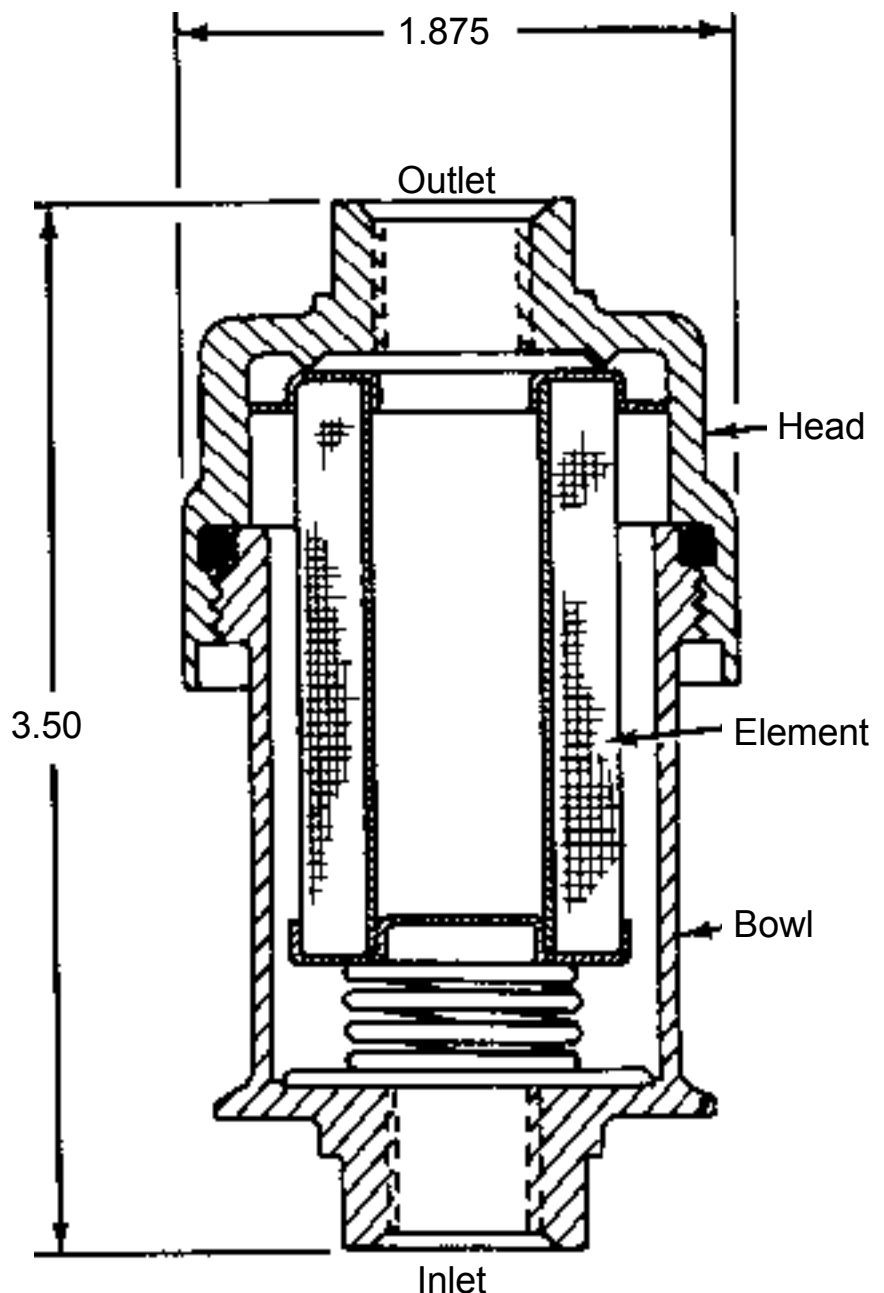


Filter Assembly

Description of Operation

This filter is installed in the vent line of the hydraulic fluid reservoir. As the liquid level of the reservoir rises and falls due to system operation, the displaced air passes through the filter which prevents airborne contamination from entering the tank. The unit consists of a top head and bottom bowl section which houses the filter element. The element is spring loaded so that if it should become over-contaminated, it will unseat and allow air to bypass which prevents excessive vacuum on the tank.



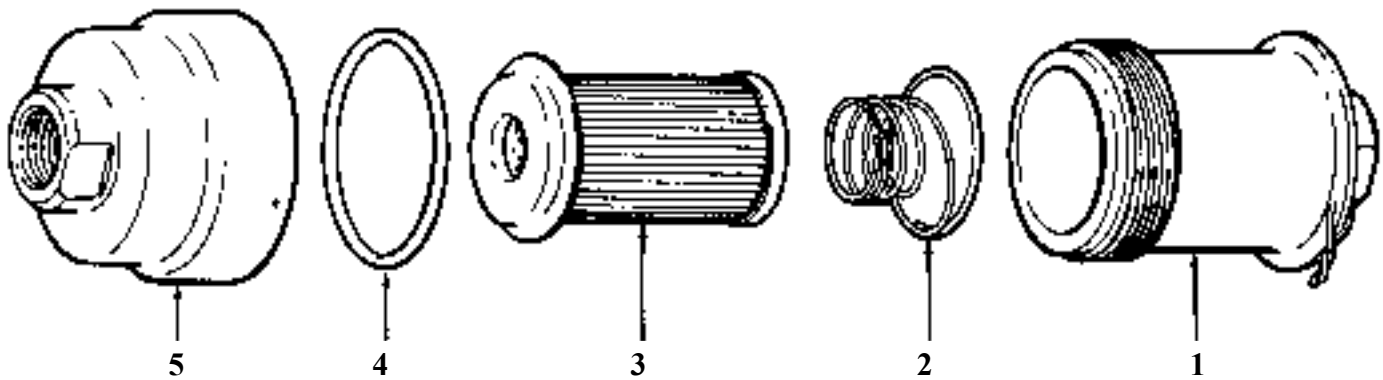
Facet Part No: Filter Assembly 574315

Boeing Part No: Assembly BAC F-18-B1

Filter Assembly

Parts List

Item No.	Part No.	Nomenclature	No. per Assembly
1	574097	Bowl	1
2	048334	Spring	1
3	574096	Element	1
4	051051	O-ring (NAS 1612-20)	1
5	574168	Head	1



Maintenance and Overhaul Instructions

Disassembly: Disassembly of the filter follows the sequence of the assigned item numbers in exploded view.

Cleaning: Wash metal parts in a suitable solvent such as trichloroethylene, stoddard solvent, etc.

Inspection: Head and bowl should be examined for distorted threads or scoring.

Replacement Items: Replace element and O-ring. Replace any defective head or bowl.

Lubrication: Before reassembly, lubricate O-ring and threads with Skydrol 500.

Reassembly: Reassemble in the reverse order of disassembly. Tighten head and bowl threads to 75 in. lbs.

Test: None