



BREATHERS

FILTER BREATHERS

SPECIFICATIONS/NOTES

Reservoir Filler Breathers

Endcaps:	Chrome Plated Steel
Filler Basket:	Stainless Steel Mesh or Plastic
Filter Element:	10 or 40 Micron

Metal Filter Breathers

Plated Steel Cap
Filter Element, 10 or 40 Micron
1/8" – 3/4" NPT Threads

Plastic Filter Breathers

Sturdy DuPont Delrin® Construction
Filter Element, 10 or 40 Micron
1/4" – 3/4" NPT Threads
Corrosion Resistant

Breather Adapters

Steel Construction
3/4" or 1 1/4" NPT Threads
BA075 Used With Purolator 20 Series Spin-On (3.69" O.D.)
BA125 Used With Purolator 40 Series Spin-On (5.05" O.D.)



Purolator filter breathers provide positive protection from airborne contaminants for hydraulic, engine and transmission fluid reservoirs. These breathers act as ventilators and are designed to filter airborne particulate and provide a clean flow of air entering the hydraulic reservoir. These breathers are available in 10 and 40 micron nominal filtration levels for the BRF, BM and BP series. The BRF series filter breathers come with self-tapping screws for reservoir mounting; the BM and BP series come with standard NPT connections.

The BRF series reservoir filter breathers are made from a chrome-plated stamped steel cap and flange. Usually specified for non-mobile applications, filter breathers feature a removable cap so hydraulic oil can be added directly to the reservoir. Available with a plastic mesh or perforated steel basket and dipstick.

Purolator BM series metal breathers are made from a plated stamped steel cap and die cast aluminum body. A wide range of NPT connections are available for many reservoir applications.

The BP series breathers are constructed from DuPont Delrin® plastic to provide an economical breather. Usually specified for applications where corrosion resistance is desired.

The BA series breather adapters are plated steel pipe nipple adapters, which are used to transform a Purolator spin-on filter into a filter breather. This type of breather is specified when finer filtration and larger breather filter area is desired.

Purolator Facet, Inc. • Made in USA
 8439 Triad Drive • Greensboro, NC 27409
 Tel: 800-852-4449 or 336-668-4444 • Fax: 336-668-4452
 Email: info@purolator-facet.com • Web site: www.purolator-facet.com



ORDERING INFORMATION

RESERVOIR FILLER BREATHERS

FILTER ASSEMBLY P/N

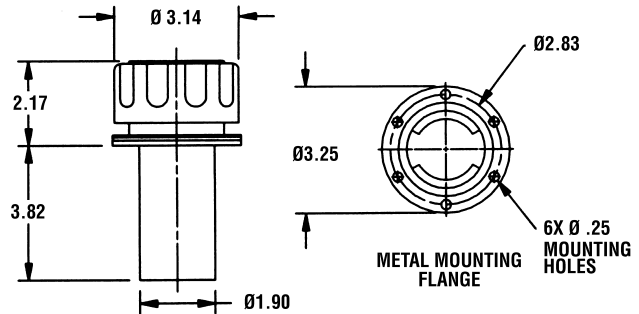
BRF **EXAMPLE P/N: BRF 10 04P 1 0**

CODE	MICRON RATING
10	10 µm
40	40 µm

CODE	LOCK TAB OPTIONS
0	No Lock
1	Includes Lock

CODE	BASKET STYLE
04P	4 In. Plastic
03S	3 In. Steel
06S	5 In. Steel
08S	6 In. Steel

CODE	DIPSTICK OPTIONS
0	Dipstick Not Included
1	Includes Dipstick (Dipstick To Fit Basket)



METAL FILTER BREATHERS

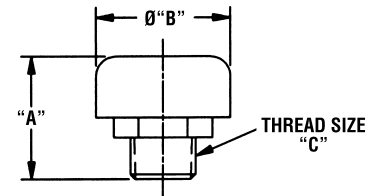
FILTER ASSEMBLY P/N

BM **EXAMPLE P/N: BM 40 250**

CODE	MICRON RATING
10	10 Micron
40	40 Micron

CODE	THREAD SIZE "C"
125	.125 NPTF
250	.250NPTF
375	.375 NPTF
500	.500 NPTF
750	.750 NPTF

BREATHER PART NUMBER	DIM. "A"	DIM. "B"
BM10125	1.88	1.37
BM10250	1.88	1.37
BM10375	1.88	1.37
BM10500	2.00	1.37
BM10750	3.13	2.56
BM40125	1.88	1.37
BM40250	1.88	1.37
BM40375	1.88	1.37
BM40500	2.00	1.37
BM40750	3.13	2.56



PLASTIC FILTER BREATHERS

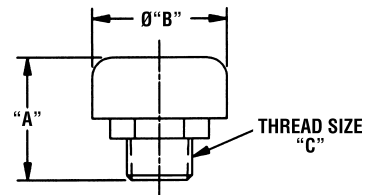
FILTER ASSEMBLY P/N

BP **EXAMPLE P/N: BP 10 500**

CODE	MICRON RATING
10	10 Micron
40	40 Micron

CODE	THREAD SIZE "C"
250	.250NPTF
375	.375 NPTF
500	.500 NPTF
750	.750 NPTF

BREATHER PART NUMBER	DIM. "A"	DIM. "B"
BP10250	2.37	1.52
BP10375	2.38	1.52
BP10500	2.38	1.52
BP10750	3.17	2.59
BP40250	2.38	1.52
BP40375	2.38	1.52
BP40500	2.38	1.52
BP40750	3.17	2.59



BREATHER ADAPTERS

ADAPTER	DIM. "A"	DIM. "B"	NPT "C"	ELEMENT ATTACHMENT THREAD "D"
BA075	2.00	.50	.75	1.00 – 12 UNF-2B
BA125	3.00	.50	1.25	1.50 – 16 UNF-2B

